

# Watertight Wiring Devices



Industry's First **IP69k** Watertight Devices

# Watertight Wiring Devices Application Guide

## Water Treatment

Devices are made to withstand the most abusive environments



## Agriculture

Mud, standing water and abuse are no match for these rugged devices



## Food and Beverage Processing

Rated to withstand the harsh, wet environments common to food and beverage facilities



## Outdoor Entertainment

Power is delivered consistently when the show must go on



## Factory

Ideal for delivering power to all types of industrial machinery and equipment



## Certifications



Known as The Most Trusted Name in Food Safety,<sup>TM</sup> NSF International has been helping businesses in the agriculture, processing, food equipment, restaurant and retail industries to navigate the food safety and regulatory environment for nearly 70 years.  
© 2014 NSF International. All rights reserved.



UL is a global independent safety science company with more than a century of expertise innovating safety solutions and is dedicated to promoting safe living and working environments.

© UL and the UL logo are trademarks of UL LLC © 2014 All Rights Reserved.

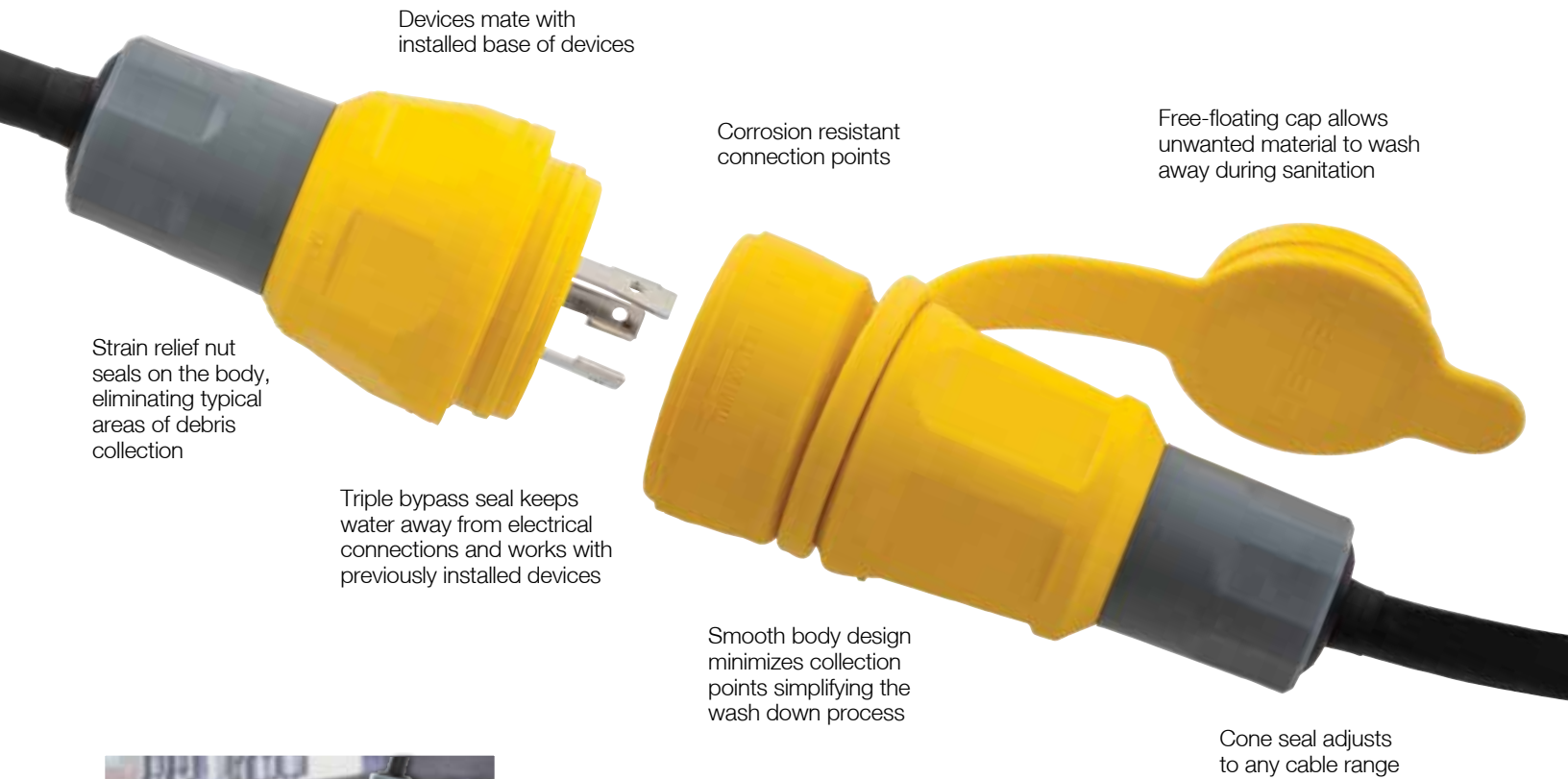


Superior water ingress protection uniquely designed for the most extreme wash down procedures, withstanding hot and high pressure water, in addition to excessively dusty environments.



Products found with this mark means CSA International found that representative samples of this product met CSA's published Standards for Safety intended for the Canadian market.

© UL and CSA logo are trademarks of UL LLC © 2014 All Rights Reserved.



Devices mate with installed base of devices

Corrosion resistant connection points

Free-floating cap allows unwanted material to wash away during sanitation

Strain relief nut seals on the body, eliminating typical areas of debris collection

Triple bypass seal keeps water away from electrical connections and works with previously installed devices

Smooth body design minimizes collection points simplifying the wash down process

Cone seal adjusts to any cable range



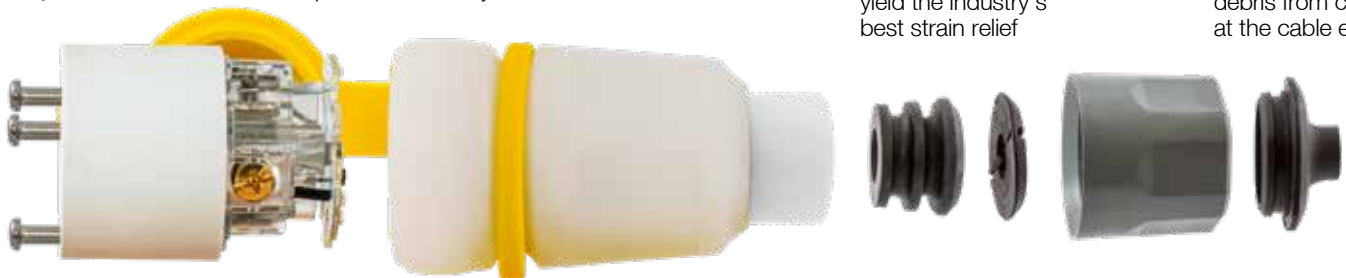
Green and red LEDs on internal printed circuit board illuminate within housing assembly to indicate wiring condition

Keyed interior for easy installation

High conductivity brass termination provides reliability

Patented Gotcha® ring and collapsible bushing yield the industry's best strain relief

Unique cone seal prevents dirt and debris from collecting at the cable entrance



Stainless steel hardware and corrosion resistant connection points

LEDs within clear housing assembly indicate wiring condition:  
Green—Power  
Red—Check wiring  
Off—No power

PBT strain relief nut provides unparalleled impact resistance

# Watertight Wiring Devices

Thermoplastic elastomer seal



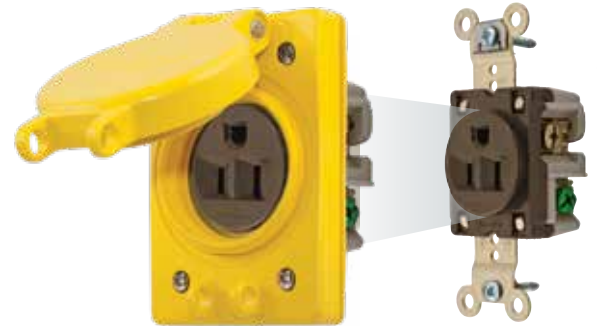
Impact resistant PBT material lid and cover plate

Lockable covers meet OSHA Lockout/Tagout regulations

Stainless steel hinge spring and pin



Stainless steel mounting hardware



Also Available: Watertight lift covers for use with standard receptacles.

## Straight Blade Devices

	Rating	Plug/Connector	Poles/Wires	Color	Plug	Connector	Receptacle with Lift Cover	Duplex Receptacle
15 Amp	NEMA 5-15 15A 125V		2P/3W	Yellow Black Clear/LED	<b>HBL14W47A</b> <b>HBL14W47BK</b> <b>HBL14W47AWC</b>	<b>HBL15W47A</b> <b>HBL15W47BK</b> <b>HBL15W47AWC</b>	<b>HBL60W47</b> — —	<b>HBL60W47D</b> — —
	NEMA 6-15 15A 250V		2P/3W	Yellow	<b>HBL14W49</b>	<b>HBL15W49</b>	<b>HBL60W49</b>	<b>HBL60W49D</b>
	15A 125V 10A 600V Non-NEMA		2P/3W	Yellow	<b>HBL14W07</b>	<b>HBL15W07</b>	—	—
20 Amp	NEMA 5-20 20A 125V		2P/3W	Yellow Clear/LED	<b>HBL14W33A</b> <b>HBL14W33AWC</b>	<b>HBL15W33A</b> <b>HBL15W33AWC</b>	<b>HBL60W33</b> —	<b>HBL60W33D</b> —
	NEMA 6-20 20A 250V		2P/3W	Yellow	<b>HBL14W48</b>	<b>HBL15W48</b>	<b>HBL60W48</b>	<b>HBL60W48D</b>



## 15 Amp Twist-Lock® Devices

	Rating	Plug/Connector	Poles/Wires	Color	Plug	Connector	Receptacle with Lift Cover	Duplex Receptacle
15 Amp	NEMA L5-15 15A 125V		2P/3W	Yellow Black Clear/LED	<b>HBL24W47A</b> <b>HBL24W47BK</b> <b>HBL24W47AWC</b>	<b>HBL25W47A</b> <b>HBL25W47BK</b> <b>HBL25W47AWC</b>	<b>HBL65W47</b> — —	<b>HBL65W47D</b> — —
	NEMA L6-15 15A 250V		2P/3W	Yellow	<b>HBL24W49</b>	<b>HBL25W49</b>	<b>HBL65W49</b>	<b>HBL65W49D</b>
	NEMA L7-15 15A 277V AC		2P/3W	Yellow	<b>HBL24W34</b>	<b>HBL25W34</b>	<b>HBL65W34</b>	<b>HBL65W34D</b>



\*Note: Single and duplex receptacles are IP69k suitable while in use, not with cover closed

## 20 and 30 Amp Twist-Lock® Devices

	Rating	Plug/ Connector	Poles/ Wires	Color	Plug	Connector	Receptacle with Lift Cover
20 Amp	NEMA L5-20 20A 125V		2P/3W	Yellow Black Clear with LED	<b>HBL26W47</b> <b>HBL26W47BK</b> <b>HBL26W47WC</b>	<b>HBL27W47</b> <b>HBL27W47BK</b> <b>HBL27W47WC</b>	<b>HBL67W47</b> — —
	NEMA L6-20 20A 250V		2P/3W	Yellow	<b>HBL26W48</b>	<b>HBL27W48</b>	<b>HBL67W48</b>
	NEMA L7-20 20A 277V AC		2P/3W	Yellow	<b>HBL26W49</b>	<b>HBL27W49</b>	<b>HBL67W49</b>
	NEMA L14-20 20A 125/250V AC		3P/4W	Yellow	<b>HBL26W74</b>	<b>HBL27W74</b>	<b>HBL67W74</b>
	NEMA L15-20 20A 3Ø 250V AC		3P/4W	Yellow Black	<b>HBL26W75</b> <b>HBL26W75BK</b>	<b>HBL27W75</b> <b>HBL27W75BK</b>	<b>HBL67W75</b> —
	NEMA L16-20 20A 3Ø 480V AC		3P/4W	Yellow Black	<b>HBL26W76</b> <b>HBL26W76BK</b>	<b>HBL27W76</b> <b>HBL27W76BK</b>	<b>HBL67W76</b> —
	NEMA L21-20 20A 3ØY 120/208V AC		4P/5W	Yellow Black	<b>HBL26W81</b> <b>HBL26W81BK</b>	<b>HBL27W81</b> <b>HBL27W81BK</b>	<b>HBL67W81</b> —
	NEMA L22-20 20A 3ØY 277/480V AC		4P/5W	Yellow	<b>HBL26W82</b>	<b>HBL27W82</b>	<b>HBL67W82</b>
	NEMA L23-20 20A 3ØY 347/600V		4P/5W	Yellow	<b>HBL26W83</b>	<b>HBL27W83</b>	<b>HBL67W83</b>
	20A 125/250V Non-NEMA		3P/3W	Yellow	<b>HBL26W08</b>	<b>HBL27W08</b>	<b>HBL67W08</b>
20A 3ØY 120/208V AC Non-NEMA		4P/4W	Yellow	<b>HBL26W09</b>	<b>HBL27W09</b>	<b>HBL67W09</b>	
30 Amp	NEMA L5-30 30A 125V		2P/3W	Yellow Black	<b>HBL28W47</b> <b>HBL28W47BK</b>	<b>HBL29W47</b> <b>HBL29W47BK</b>	<b>HBL69W47</b> —
	NEMA L6-30 30A 250V		2P/3W	Yellow	<b>HBL28W48</b>	<b>HBL29W48</b>	<b>HBL69W48</b>
	NEMA L7-30 30A 277V AC		2P/3W	Yellow	<b>HBL28W49</b>	<b>HBL29W49</b>	<b>HBL69W49</b>
	NEMA L14-30 30A 125/250V AC		3P/4W	Yellow	<b>HBL28W74</b>	<b>HBL29W74</b>	<b>HBL69W74</b>
	NEMA L15-30 30A 3Ø 250V AC		3P/4W	Yellow	<b>HBL28W75</b>	<b>HBL29W75</b>	<b>HBL69W75</b>
	NEMA L16-30 30A 3Ø 480V AC		3P/4W	Yellow Black	<b>HBL28W76</b> <b>HBL28W76BK</b>	<b>HBL29W76</b> <b>HBL29W76BK</b>	<b>HBL69W76</b> —
	NEMA L17-30 30A 3Ø 600V AC		3P/4W	Yellow	<b>HBL28W77</b>	<b>HBL29W77</b>	<b>HBL69W77</b>
	NEMA L18-30 30A 3ØY 120/208V AC		4P/4W	Yellow	<b>HBL28W78</b>	<b>HBL29W78</b>	—
	NEMA L21-30 30A 3ØY 120/208V AC		4P/5W	Yellow Black	<b>HBL28W81</b> <b>HBL28W81BK</b>	<b>HBL29W81</b> <b>HBL29W81BK</b>	<b>HBL69W81</b> —
	NEMA L22-30 30A 3ØY 277/480V AC		4P/5W	Yellow	<b>HBL28W82</b>	<b>HBL29W82</b>	<b>HBL69W82</b>
	NEMA L23-30 30A 3ØY 347/600V AC		4P/5W	Yellow	<b>HBL28W83</b>	<b>HBL29W83</b>	<b>HBL69W83</b>
	30A 125/250V Non-NEMA		3P/3W	Yellow	<b>HBL28W08</b>	<b>HBL29W08</b>	<b>HBL69W08</b>
	30A 3ØY 120/208V AC Non-NEMA		4P/4W	Yellow	<b>HBL28W09</b>	<b>HBL29W09</b>	—



NSF UL SA  
UL Type 4, 4X, 6P  
**IP65, 66, 67, 69k\***  
SUITABILITY



Note: 20 and 30 amp Twist-Lock® duplex receptacles are not available

\*Note: Single receptacles are IP69k suitable while in use, not with cover closed

# Accessories



Interiors



Closure caps



Lift covers



Cone seals



Bushings



## UL Type 4X Watertight Lift Covers

	Description	Receptacle with Lift Cover
Lift Cover Assembly	For use with 15A or 20A straight blade receptacles and 15A Twist-Lock® receptacles; receptacle not included.	<b>HBL6500</b>
	For use with 20A Twist-Lock® receptacles; receptacle not included. Note: When mating with <b>HBL26W09</b> , 20A Non-NEMA plug, use HBL6800 cover.	<b>HBL6700</b>
	For use with 30A Twist-Lock® receptacles; receptacle not included.	<b>HBL6800</b>

## Bushings, Cone Seals and Closure Caps

	Device	Bushings	Cone Seals	Closure Caps	
				Yellow	Black
15A	Straight Blade Locking	<b>HBLWTB1</b>	<b>HBLWTCS1</b>	<b>HBL50W50</b>	<b>HBL50W50BK</b>
		<b>HBLWTB1</b>	<b>HBLWTCS1</b>	<b>HBL50W50</b>	<b>HBL50W50BK</b>
20A	Straight Blade Locking	<b>HBLWTB1</b>	<b>HBLWTCS1</b>	<b>HBL50W50</b>	<b>HBL50W50BK</b>
		<b>HBLWTB2</b>	<b>HBLWTCS2</b>	<b>HBL50W52</b>	<b>HBL50W52BK</b>
30A	Locking	<b>HBLWTB3</b>	<b>HBLWTCS3</b>	<b>HBL50W54</b>	<b>HBL50W54BK</b>

## Interiors

	Device	125V		3Ø 250V AC		3Ø 480V AC	
		Plug	Receptacle	Plug	Receptacle	Plug	Receptacle
15A	Straight Blade Locking	<b>HBL14W47IN</b>	<b>HBL15W47IN</b>	—	—	—	—
		<b>HBL24W47IN</b>	—	—	—	—	—
20A	Locking	—	<b>HBL27W47IN</b>	<b>HBL26W75IN</b>	—	<b>HBL26W76IN</b>	<b>HBL27W76IN</b>
30A	Locking	—	—	<b>HBL28W75IN</b>	<b>HBL29W75IN</b>	<b>HBL28W76IN</b>	<b>HBL29W76IN</b>

# FD Boxes and Angled Adapters

Hubbell's fully UL Listed surface mount box is engineered with features that allow easy, code compliant installation of all types of devices from 15A to 50A. These features include a metallic ground bonding bracket, threaded conduit hubs and external mounting supports. Together with an industry first 55 degree angle adapter, the combination of devices is the only code compliant 45 cu.in. solution for 50A 4 wire installations. The angle adapter can also be installed separately for panel applications.

¼" NPT and 1" NPT threaded hub options



30 cu. in. FD box made of high impact thermoplastic material

External mounting feet, accepts #10 screw



Stainless steel mounting/grounding bracket



External mounting feet, accepts #8 screw



Accept duplex and single receptacles up to 50A Twist-Lock®

55° angle adapter (15 cu. in.)

## FD Boxes and Angled Adapters

	Description	Color	Catalog Number
Boxes	(2) ¼" NPT Hubs, FD Box	Yellow	<b>HBL60CM83A</b>
		White	<b>HBL60CM83WA</b>
		Gray	<b>HBL6083</b>
Boxes	(2) 1" NPT Hubs, FD Box	Yellow	<b>HBL60CM84A</b>
		White	<b>HBL60CM84WA</b>
		Gray	<b>HBL6084</b>
Adapters	55° Angle Adapter	Yellow White Gray	<b>HBL60CM55</b> <b>HBL60CM55W</b> <b>HBL6055</b>
Kits	(2) ¼" NPT Hubs, Box/Adapter Kit	Yellow	<b>HBL60CM83AK</b>
		White	<b>HBL60CM83WAK</b>
		Gray	<b>HBL6083AK</b>
Kits	(2) 1" NPT Hubs, Box/Adapter Kit	Yellow	<b>HBL60CM84AK</b>
		White	<b>HBL60CM84WAK</b>
		Gray	<b>HBL6084AK</b>
Covers	Blank Cover Plate	Yellow	<b>HBL60CM88</b>
		White	<b>HBL60CM88W</b>
		Gray	<b>HBLP14FS</b>



Note: Adapters are NEMA 4X only. For UL Type 4X rating, use receptacles in an FD box.

\*Note: When used with single or duplex receptacles

# GFCI Protected FD Box

The preconfigured GFCI protected FD box provides a UL Type 4X GFCI enclosure made for wet and damp locations for 30A 120V and 240V watertight receptacles. Complete assembly includes GFCI module, PolyTuff® conduit and fittings and Watertight FD box. The GFCI response time does not exceed .025 seconds, ensuring a safe circuit shut down if the current were to deviate from its path. Auto resetting GFCI box, when connected to an FD box by utilizing a PolyTuff® liquid tight conduit provides advanced safety features for watertight devices.

Class A,  
30A 120V and 240V  
with auto reset

Grounded neutral  
protection trips if  
ground and neutral  
touch at load side



GFCI response  
time is .025  
seconds max.

PolyTuff® liquidtight  
conduit and fittings



UL Type 4X  
enclosure for wet  
and damp locations

Components are  
UL and CSA listed







**UL Type 4X**  
**IP65, 66**  
SUITABILITY

## GFCI Protected FD Box

	Description	GFCI Module	Catalog Number
FD Box	GFCI Watertight FD Box Assembly	30A 120V	<b>HBLWTGF120</b>
		30A 240V	<b>HBLWTGF240</b>



\*Note: When used with single or duplex receptacles






  
**Box Suitable for Wet and Damp Locations**  
**IP44**  
SUITABILITY

Cord entry options include pre-defined range or configurable options

Impact resistant thermoplastic elastomer housing exceeds UL crush requirements



Ample wiring room allows for the broadest range of device requirements in one size box

Brass inserts for maximum strength

Extended wall protects lift covers from impact damage



## Pre-Assembled Portable Outlet Boxes

	Description	Cord Range Inches (mm)		Catalog Number
Boxes	Yellow Deep Portable Outlet Box with cord connector installed	.38"-.50" (9.7-12.7)	Standard	<b>HBL3099</b>
			Feed Thru	<b>HBL3090F</b>
			Standard with (2) duplex plates	<b>HBL3000</b>

## Configurable Portable Outlet Boxes

	Empty Box Options	Catalog Number	Cord Range Inches (mm)	Cord Connectors		Deluxe Cord Connectors
				Gray Nylon	Black Nylon	
Boxes	Outlet Box, Yellow	<b>HBL3080</b>	.38"-.50" (9.5-12.7)	<b>SHC1039CR</b>	—	—
	Outlet Box, Black	<b>HBL3080BK</b>	.50"-.63" (12.7-15.9)	<b>SHC1040CR</b>	<b>SHC2040CR</b>	<b>CG810NM</b>
	Feed Thru Box, Yellow	<b>HBL3080F</b>	.63"-.75" (15.9-19.0)	<b>SHC1041CR</b>	<b>SHC2041CR</b>	<b>074011341</b>
	Feed Thru Box, Black	<b>HBL3080FBK</b>	.75"-.88" (19.0-22.2)	<b>SHC1042CR</b>	<b>SHC2042CR</b>	<b>074011342</b>
	Note: Includes Locknut.		.88"-1.00" (22.2-25.4)	<b>SHC1043CR</b>	<b>SHC2043CR</b>	<b>074011343</b>
			.59"-1.00" (15.0-25.4)	<b>SEC100GA</b>	<b>SEC100BA</b>	—




  
**UL Type 3R**  
**IP44**  
SUITABILITY  
**UL Type 1**

Impact resistant PBT material



UL Type 3R seal on a panel or portable outlet box

Stainless steel hinge and spring

## Cover Plates

	Description	Receptacle Opening	UL Type 3R	UL Type 1
Cover Plates	Outlet box cover plate for use with portable outlet boxes and panels	Duplex	<b>HBL3056</b>	<b>HBL3051</b>
		1.39" diameter	<b>HBL3057</b>	<b>HBL3052</b>
		1.572" diameter	<b>HBL3058</b>	<b>HBL3055</b>
		GFCI	<b>HBL3061</b>	<b>HBL3060</b>
		Blank	<b>HBL3054</b>	—

# Specifications

## Materials

### Plug/Connector

Part	Materials
Blade/Contact Carrier	Nylon, white
Terminal Retainer	Polycarbonate, clear
Housing	Thermoplastic elastomer
Housing Insert	Nylon, white
Strain Relief Nut	PBT thermoplastic, gray
Blades/Contacts	Brass, nickel plated
Terminal Screws	Brass
Terminal Screw Size	#8-32 15A/20A Straight Blade and 15A Twist-Lock; #10-32 20A and 30A Twist-Lock
Assembly Screws	Stainless Steel
Bushings	Thermoplastic elastomer, black
Gotcha Ring	Nylon
Cone Seal	Thermoplastic elastomer, black
Closure Cap	Thermoplastic elastomer

### Receptacle Assembly

Part	Materials
Base, Flip Lid and Backplate	PBT
Seal Collar	Thermoplastic elastomer
Mounting Screws	Stainless Steel
Spring and Hinge Pin	Stainless Steel

### Portable Outlet Box and Accessories

Part	Materials
Box Enclosure	Thermoplastic elastomer
Strain Relief Nut	PBT
Grommet	Thermoplastic elastomer
Gotcha Ring	Nylon
Locknut	Steel, zinc plate
Threaded Inserts	Brass
Receptacle Screw	Stainless steel
Cover Plate	PBT
Cover Plate Seal	Neoprene
Cover Plate Spring	Stainless steel
Hinge Pin	Stainless steel
Hinge Bracket	Zinc plated steel
Rivets	Zinc plated steel

## Specifications

### Listings (Plug/Connector and Flip Lid Assembly)

Listed to UL498  
 Certified to CSA C22.2 No. 42  
 Meets NEMA WD-1, WD-6, and ANSI standards  
 IP66 Suitability  
 NSF Certified (Plugs, Connectors and Receptacles)

### FD Box/Adapter

Part	Materials
Box Enclosure	PBT
Ground Bracket	316 Stainless Steel
Ground Screw	Brass
Angle Adapter	PBT

### Environmental

Box  
 UL Type 4X  
 (with UL Type 4X  
 receptacle assembly)  
 UL Type 3R  
 (with weatherproof cover plate)  
 IP69k (while in use)

## Performance

### Electrical

Dielectric Voltage  
 Connectors: 2000V AC if rated 300V or less; 3000V AC if rated above 300V  
 Plugs: 2500V AC if rated 300V or less; 3500V AC if rated above 300V  
 Max Working Voltage As marked  
 Current Interrupting Rated for current interruption per UL498  
 Temperature Rise 30°C max per UL498 at rated current

### Mechanical

Cord and terminal accommodations:

#### Plugs and Connectors

15 and 20A Straight Blade and 15A Locking	16/3 SJ to 10/3 SJ, 18/3 S to 12/3 S, (Ø.325" to Ø625") (Ø8.3mm to Ø15.9 mm)
20A Locking Except HBL26W09 & HBL27W09	Min. Cord: 16/3 SJ, 18/3 S, 18/4 SJ, 18/4 S, 18/5 S, (Ø.325") (Ø8.3 mm) Max. Cord: 10/3 S, 10/4 S, 10/5 S (.875") (22.2 mm)
30A Locking Including HBL26W09 & HBL27W09	Min Cords: 12/3 SJ, 16/3 S, 14/4 SJ, 18/4 S, 18/5 S, (Ø.375") (Ø9.5 mm) Max Cord: 8/3 S, 8/4 S, 10/5 S (1.125") (28.6 mm)

Receptacles – use solid or stranded building wire or flexible cord only as outlined below:

All Straight Blade	18 AWG to 10 AWG
15A Locking	18 AWG to 10 AWG
20A and 30A Locking	18 AWG to 8 AWG

#### Portable Outlet Boxes

Cord Range	.38" to .68" (HBL3099, HBL3090F, HBL3000) .38" to 1.00" with user-specified cord connector
Wiring Volume	19.0 in <sup>3</sup>

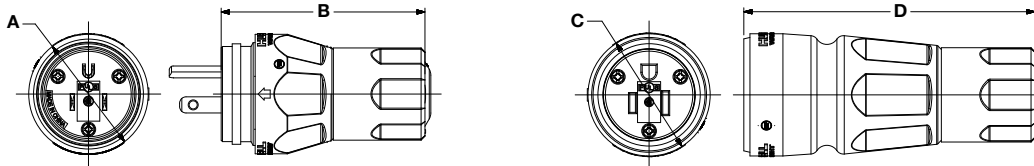
### Environmental

Moisture Resistance UL Listed to 3R, 3RX, 4, 4X, 6, 6P, 12 (Plugs and connectors); 3R, 3RX, 4, 4X (Receptacles); Wet and Damp Locations (Portable outlet boxes); Covers (POB) UL Type 3R and Wet Locations cover closed UL94V0 (boxes, covers, and plates); UL94V2 (Plugs, connectors, and interiors); UL94HB (Caps, bushings, and cone seals)  
 Flammability  
 Operating Temperatures -40°C (without impact) to +60°C continuous  
 UV Resistance All exposed materials are UV stabilized

## Plugs and Connectors Inches (mm)

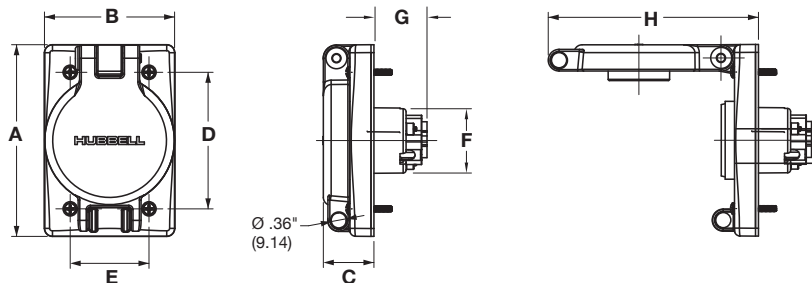
Plugs	A	15A & 20A	15A Non-NEMA	15A	20A	30A
		Straight Blade	Straight Blade	Twist-Lock®	Twist-Lock®	Twist-Lock®
Connectors	B	1.85 (47.07)	1.63 (41.40)	1.85 (47.07)	2.51 (63.70)	2.77 (70.41)
	C	3.16 (80.27)	2.68 (68.00)	3.21 (81.46)	3.96 (100.69)	3.94 (99.98)
	D	1.85 (47.07)	1.80 (46.00)	1.85 (47.07)	2.51 (63.70)	2.77 (70.41)
		4.42 (112.14)	4.00 (102.00)	4.62 (117.22)	5.69 (144.55)	5.67 (144.00)

Note: For HBL26W09 and HBL27W09 use 30A Twist-Lock® dimensions.



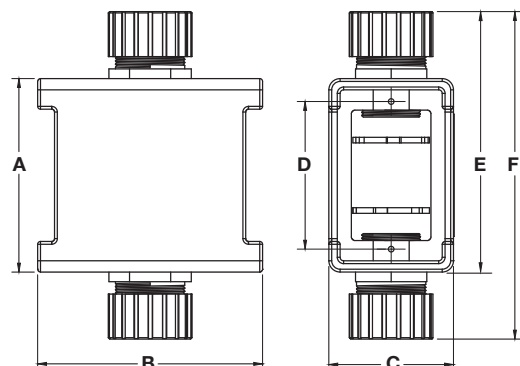
## Receptacles with Lift Covers Inches (mm)

	15A & 20A	15A	20A	20A	30A	30A
	Straight Blade	Twist-Lock®	Twist-Lock®	Non-NEMA	Twist-Lock®	Non-NEMA
A	4.56" (115.9)	4.56" (115.9)	4.56" (115.9)	4.56" (115.9)	4.56" (115.9)	4.56" (115.9)
B	3.10" (78.7)	3.10" (78.7)	3.10" (78.7)	3.10" (78.7)	3.10" (78.7)	3.10" (78.7)
C	1.20" (30.6)	1.20" (30.6)	1.20" (30.6)	1.20" (30.6)	1.20" (30.6)	1.20" (30.6)
D	3.25" (82.6)	3.25" (82.6)	3.25" (82.6)	3.25" (82.6)	3.25" (82.6)	3.25" (82.6)
E	1.88" (47.6)	1.88" (47.6)	1.88" (47.6)	1.88" (47.6)	1.88" (47.6)	1.88" (47.6)
F	1.26" (32.0)	1.46" (37.1)	1.72" (43.7)	2.26" (57.4)	1.72" (43.7)	1.97" (50.0)
G	1.63" (41.4)	1.63" (41.4)	2.25" (57.2)	2.25" (57.2)	2.25" (57.2)	2.25" (57.2)
H	5.00" (127.0)	5.00" (127.0)	5.00" (127.0)	5.00" (127.0)	5.00" (127.0)	5.00" (127.0)



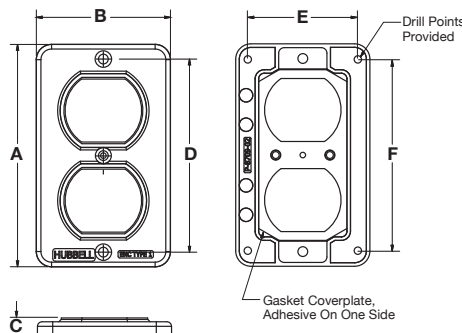
## Portable Outlet Boxes Inches (mm)

	Pre-Assembled	Configurable
A	4.30" (109.2)	4.30" (109.2)
B	5.00" (127.0)	5.00" (127.0)
C	2.77" (70.4)	2.77" (70.4)
D	3.28" (83.3)	3.28" (83.3)
E	5.79" (147.0)	—
F	7.28" (184.9)	—



## Cover Plates Inches (mm)

A	3.78" (96.0)
B	2.28" (57.9)
C	0.27" (6.9)
D	3.28" (83.3)
E	1.87" (47.5)
F	3.25" (82.6)



Style shown is representative of all openings.

## Hubbell Guides



### Full Line Catalog

The Hubbell Wiring Device-Kellems catalog showcases an enhanced product offering to provide a breadth of solutions for industrial, commercial and residential markets.



### Hubbell Safety Brochure

Hubbell has always been focused on safety. That's why our products are designed and developed to first provide maximum safety against injury and the potential dangers of electricity.



### Hubbell Food Processing Brochure

Food processing is a demanding environment, and Hubbell has the right products to keep production moving safely. Hubbell's food processing guide identifies solutions for areas where water, corrosiveness, harsh temperatures and personal protection are required.

## Twist-Lock® App

When you're on the go, use the Twist-Lock® app from Hubbell®.



# Watertight Wiring Devices

